



# PB1000

## Parking Barrier

ZK Boom Barrier is a product which ZKTeco owns the independent intellectual property rights. Its boom prevents entry of unauthorized vehicles to restricted area, and is raised by the linkage between the gate and the remote control, access control system, long-distance reader and number plate recognition system. If a floor sensor is installed, strike can be avoided, and the boom will be automatically lowered after the vehicle passes through the gate; otherwise, the boom can be lowered manually by using a remote controller or press button.

The boom can be equipped with pressure wave. When there is any hindrance during the boom lowering, the boom will be automatically raised to prevent it from striking vehicles or people. LED light tape is also optional for changing color in boom raising or lowering, helping driver avoid hitting the boom.

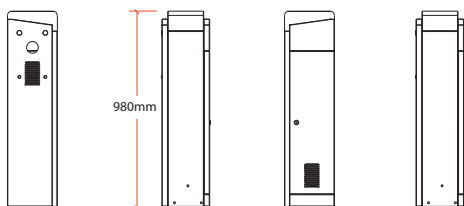
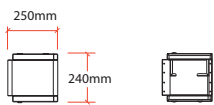
## Features

- Delicate and compact, convenient for packing and lowering delivery cost;
- ZK designed rolling pressure spring technology, extending product life;
- Boom can be raised and lowered smoothly and steadily;
- Outer case and interior can be flexibly separated, convenient for maintenance and customization;
- Simple installation – just to fix the barrier gate on floor and connect it to electricity.

# Specifications

| Model No.                      | PB1010L/R                           | PB1030L/R                           | PB1060L/R                           |
|--------------------------------|-------------------------------------|-------------------------------------|-------------------------------------|
| Lane Width                     | 3M, up to 3.8M with telescopic boom | 4M, up to 4.8M with telescopic boom | 5M, up to 5.8M with telescopic boom |
| Opening / Closing Time         | 1S                                  | 3S                                  | 6S                                  |
| Supply Voltage                 | 110V AC or 220V AC                  | 110V AC or 220V AC                  | 110V AC or 220V AC                  |
| Power Consumption Max.         | 200W                                | 200W                                | 200W                                |
| Frequency                      | 50-60Hz                             | 50-60Hz                             | 50-60Hz                             |
| Cabinet Material               | Powder Coated Steel                 | Powder Coated Steel                 | Powder Coated Steel                 |
| Boom Material                  | Aluminum Alloy                      | Aluminum Alloy                      | Aluminum Alloy                      |
| Base Frame                     | Cast Iron                           | Cast Iron                           | Cast Iron                           |
| Temperature Range              | -20°C~+60°C                         | -20°C~+60°C                         | -20°C~+60°C                         |
| Humidity Range                 | ≤90%                                | ≤90%                                | ≤90%                                |
| Ingress Protection             | IP54                                | IP54                                | IP54                                |
| Housing Dimensions (W x D x H) | 240 x 250 x 980mm                   | 240 x 250 x 980mm                   | 240 x 250 x 980mm                   |
| Packing Dimensions (W x D x H) | 400 x 440 x 1120mm                  | 400 x 440 x 1120mm                  | 400 x 440 x 1120mm                  |
| Net Weight (Without Boom)      | 47KG                                | 47KG                                | 47KG                                |
| Gross Weight (Without Boom)    | 52KG                                | 52KG                                | 52KG                                |

## Dimension



## Accessories

Loop detector

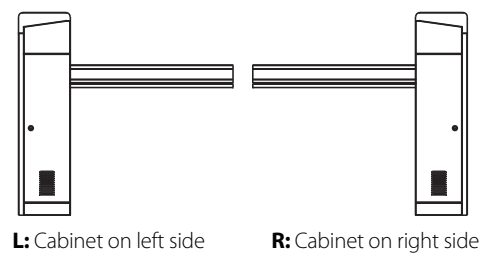
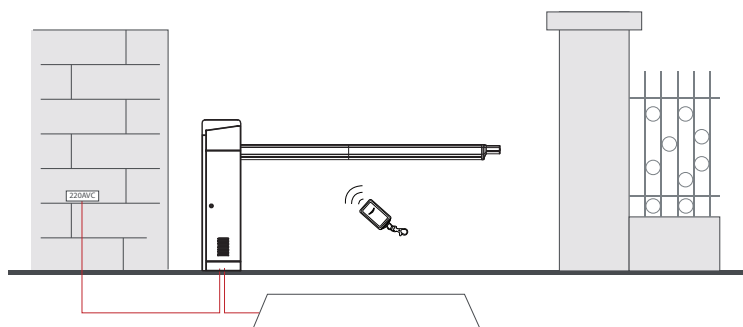
Remote Transmitter

Photo Cell

Siren

Loop

## Typical Installation



ZKTeco Inc.  
www.zkteco.com  
E-mail: sales@zkteco.com

© Copyright 2016. ZKTeco Inc. ZKTeco Logo is a registered trademark of ZKTeco or a related company. All other product and company names mentioned are used for identification purposes only and may be the trademarks of their respective owners. All specifications are subject to change without notice. All rights reserved.

