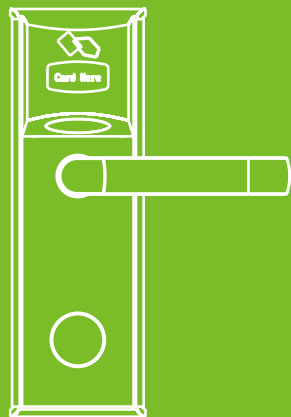


Installation Instruction

LH1000

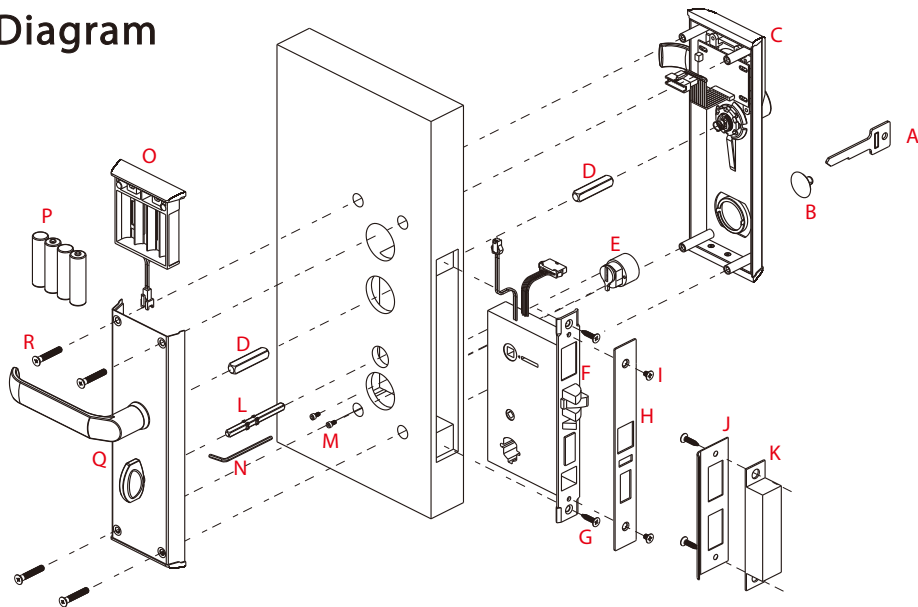
Version: 1.0

Date: May, 2015

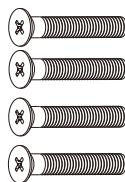
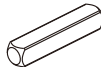
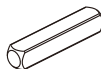
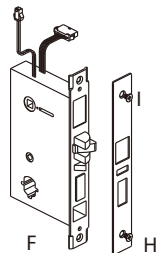
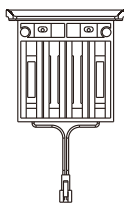
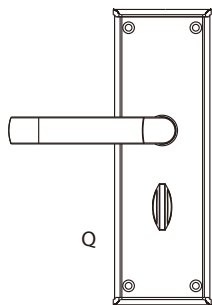
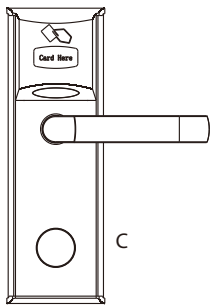


Before Installation

Diagram



Packing List



5.8mm

20mm

40mm

55mm

75mm

A

N

M

G

D

R

L

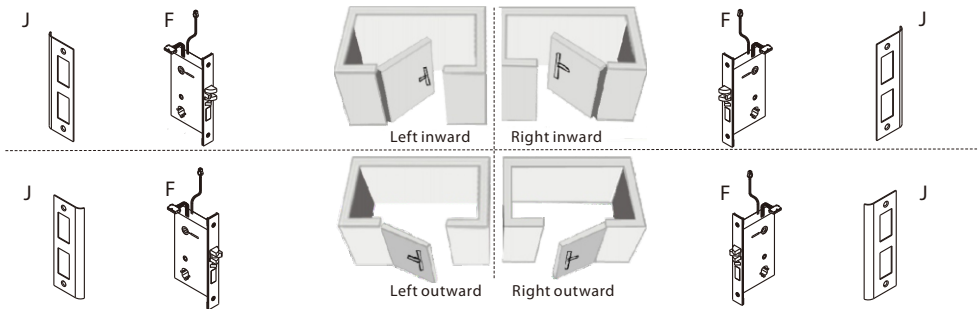
Door Preparation

1. Check door thickness, prepare the proper screws and spindles.

Door Thickness	D Spindle	R Screw	L Spindle
35-55 mm	40 mm	55 mm	75 mm

Note: If out of the door thickness of 35-55 mm, this lock will not be available.

2. Check door open direction.



Note1 : There are two types of mortise (F): one is for left open, the other is for right open. Please use the correct one.

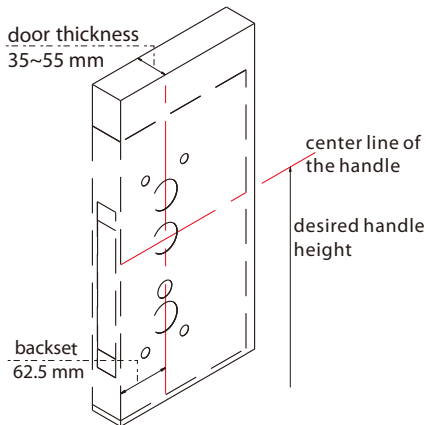
Note2 : Please install the strike plate (J) according to the above pictures.

Cautions

1. New lock is defined as always open mode until it was unlocked once by mifare card.
2. Please swipe authorised card,time sync card,room card at first for the new lock.
3. The lock is equipped with mechanical keys for manual unlocking. Remove the mechanical keys from the package and keep them in a safe place.
4. To power on the lock, four alkaline AA batteries (not included) are required.
Non-alkaline and rechargeable batteries ARE NOT RECOMMENDED.
5. Do not remove batteries when the lock is in working state.

Installation

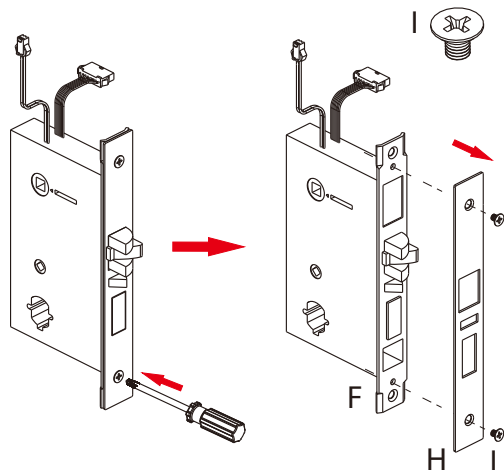
1. Drill holes on the door



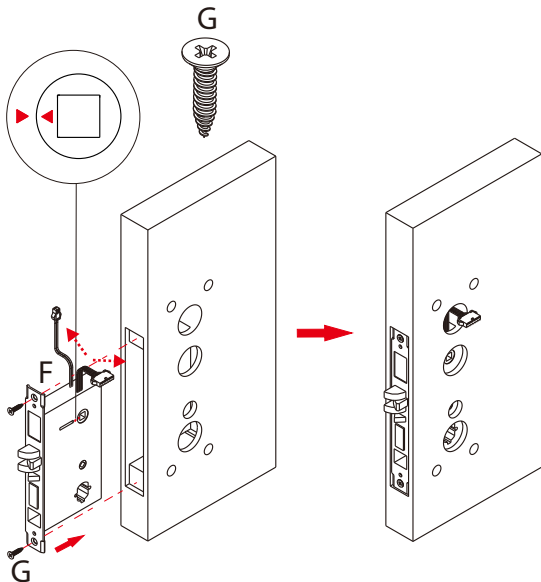
Note 1: Align the template along the vertical center line of the mortise (F) at the desired handle height, and tape it to door.

Note 2: Mark the holes first, then start drilling.

2. Remove the mortise latch plate (H)

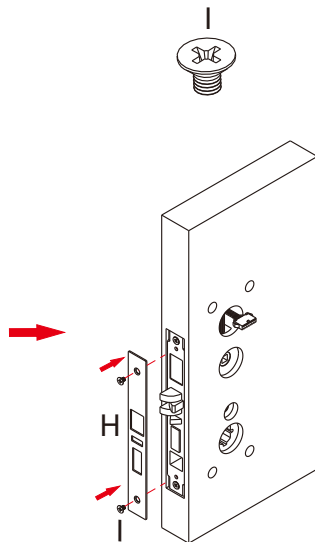


3. Install mortise (F)

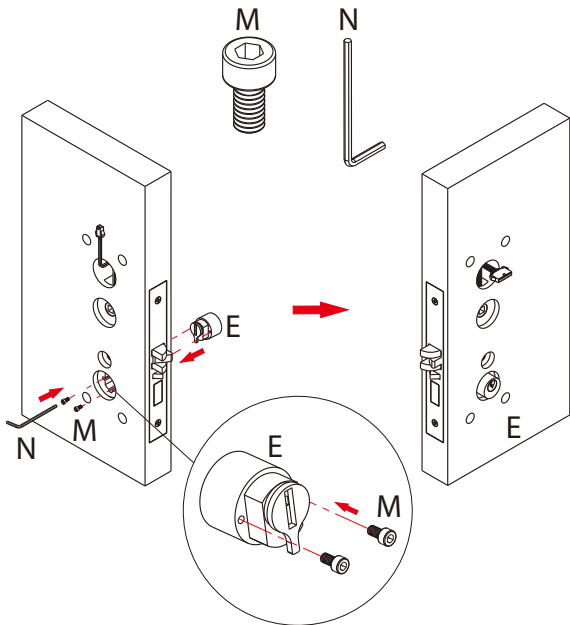


Note: Ensure the two triangles are in horizontal alignment.

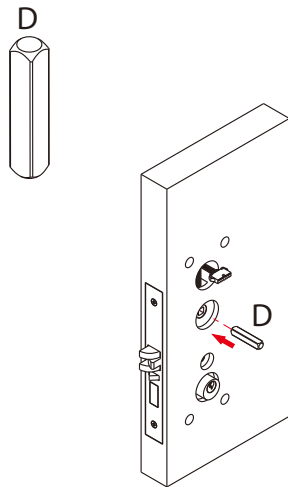
4. Install mortise latch plate (H)



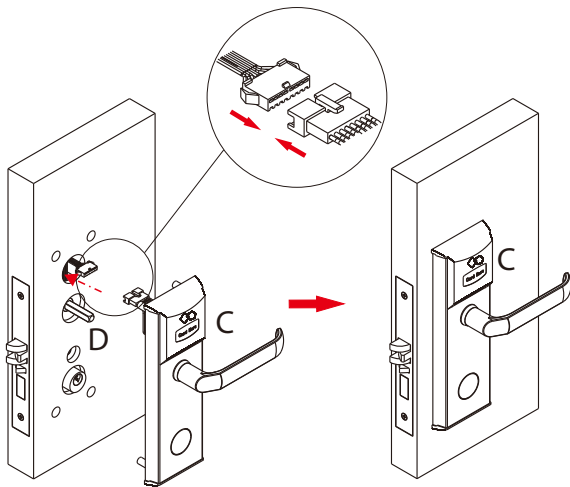
5. Install lock cylinder (E)



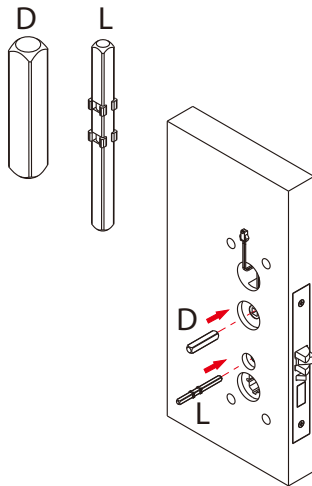
6. Install spindle (D)



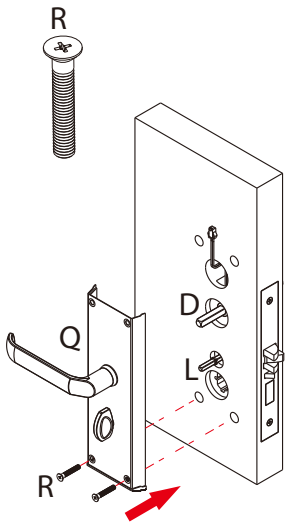
7. Install outdoor unit (C)



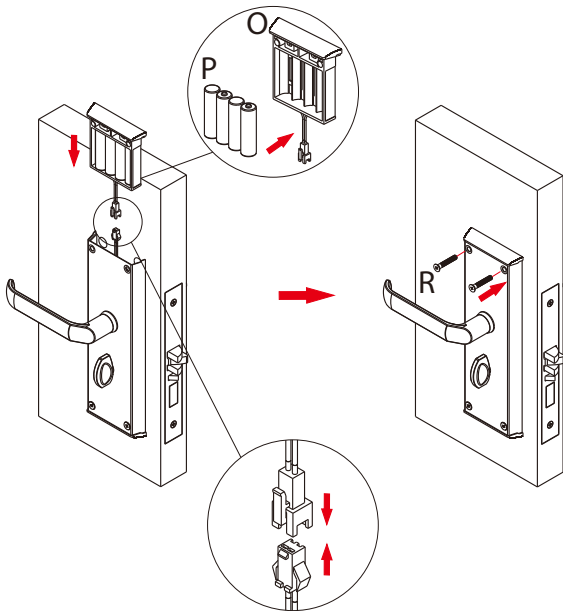
8. Install spindle (D) and (L)



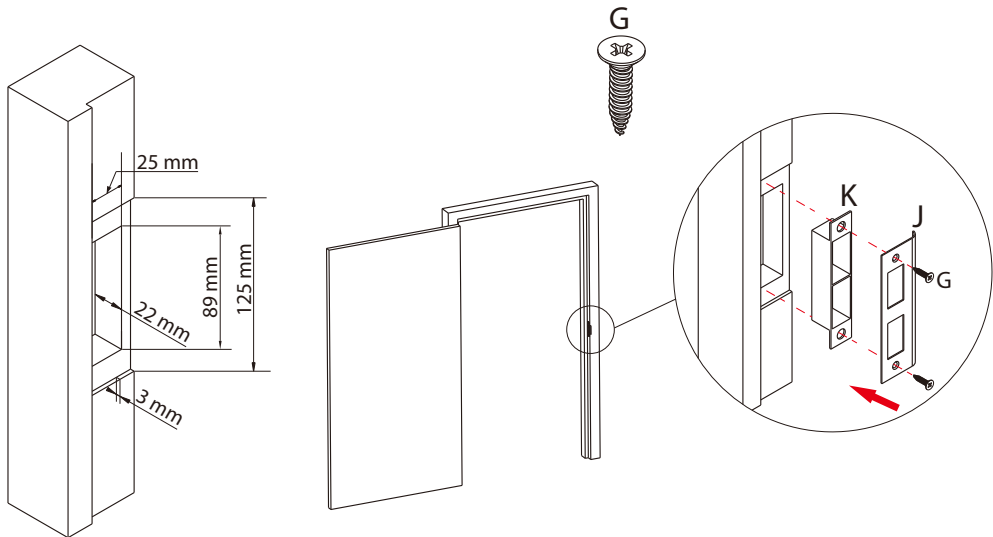
9. Install indoor unit (Q)



10. Install the battery (P)



11. Mark and drill holes for strike



12. Test Lock by mechanical key (A)

Step1: Remove the cover on the key hole with sucker (B).

Step2: Insert mechanical key (A) into the key hole and rotate it at 90°.

