



## FB3000 Series

**FB3000** Single Lane Flap Barrier Turnstile

**FB3011** Single Lane Flap Barrier Turnstile

(w/ controller and RFID reader)

**FB3022** Single Lane Flap Barrier Turnstile

(w/ controller and combination fingerprint & RFID reader)

The ZKTeco FB3000 single lane flap barrier turnstile is an elegant cost-effective entrance control system designed for high-traffic volume.

The FB3000 is a single lane flap barrier turnstile series designed for smooth and silent operation and draws very little power. It's made of stainless steel which makes FB3000 highly durable.

FB3000 tempered-glass barriers are normally held in a locked position, thus denying access to the secured side. Upon FB3000's reader (RFID and/or fingerprint) positively recognizing a user's valid access card or fingerprint, its barriers retract upward automatically, thus allowing users passage to the secured side.

During emergencies and power outages the barriers automatically retract upward, thereby ensuring users FAST unencumbered exit to safety.

FB3000 provides both security and convenience, all in a very durable yet elegant compact design.

### Features

#### Reliability

- SUS304 stainless steel casework ensure long-lasting durability
- High quality electrical components

#### Safety Features

- Barriers retract automatically during emergencies/power loss
- All smooth finish. No exposed screws.
- Ergonomic design makes card and fingerprint authentication fast & simple for users.

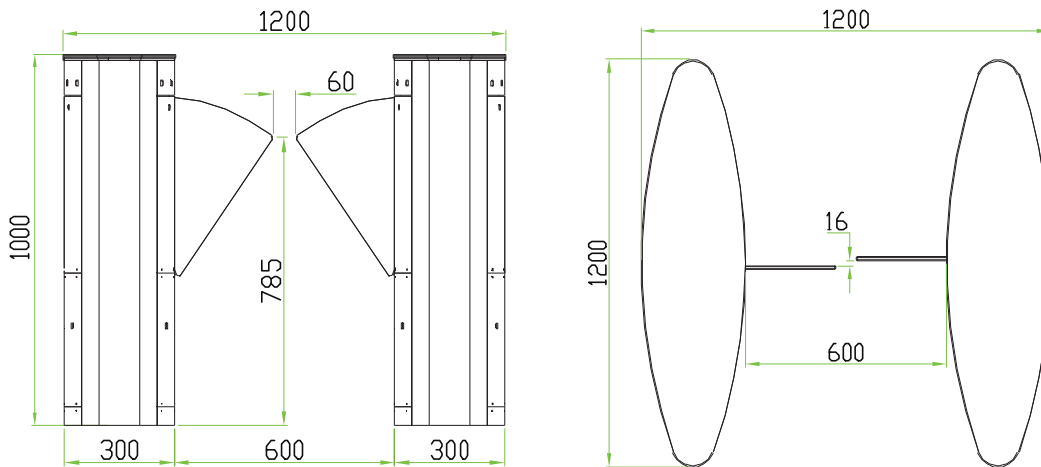
#### Built-in Reader Integration

- FB3000 series ships already integrated with our customers' preference for either card or fingerprint access control reader. This greatly reduces installation time & expense.
- FB3000 series and associated access control readers are all factory-tested prior to shipping.
- ZKTeco provides true plug'n play turnstiles with the lowest possible total cost of ownership in the industry!

# Specifications

Power requirements		AC110V/ 220V, 50/ 60Hz
Power Consumption	Starting	40W
	Standby	7W
	Unlock	43W
Working Temperature		-28 °C ~60 °C
Working Humidity		5%~80%
Working Environment		indoor/ Outdoor( if sheltered )
Speed of throughput	RFID	Maximum 42/ minute
	Fingerprint	Maximum 35/ minute
	Face	Maximum 11/ minute
	Vein	Maximum 23/ minute
Lane width(mm)		600
Footprint(mm*mm)		1200*1200
Dimension(mm)		L=1200, W=300, H=1000
Dimension with packing(mm)		L=1400, W=840, H=1100
Net weight(kg)		135
Weight with packing(kg)		205
LED indicator		Y
Cabinet material		SUS304 Stainless Steel
Lid material		Tempered Glass
Barrier material		Tempered Glass
Barrier Movement		Retracting
Emergency mode		Y
Security level		Medium
MCBF		2 million

# Dimensions (mm)



ZKTeco Inc.  
[www.zkteco.com](http://www.zkteco.com)  
 E-mail: [sales@zkteco.com](mailto:sales@zkteco.com)

© Copyright 2016. ZKTeco Inc. ZKTeco Logo is a registered trademark of ZKTeco or a related company. All other product and company names mentioned are used for identification purposes only and may be the trademarks of their respective owners. All specifications are subject to change without notice. All rights reserved.

