



FB1200 Series

FB1200 Flap Barrier Turnstile for additional Lane

FB1211 Flap Barrier Turnstile for additional Lane

(w/ controller and RFID reader)

FB1222 Flap Barrier Turnstile for additional Lane

(w/ controller and combination fingerprint & RFID reader)

The ZKTeco FB1200 single lane flap barrier turnstile is an elegant cost-effective entrance control system designed for high-traffic volume. It works together with FB1000 series for forming multiple lanes.

The FB1200 is a single lane flap barrier turnstile series designed for smooth and silent operation and draws very little power. It's made of stainless steel which makes FB1200 highly durable.

FB1200 tempered-glass barriers are normally held in a locked position, thus denying access to the secured side. Upon FB1200's reader (RFID and/or fingerprint) positively recognizing a user's valid access card or fingerprint, its barriers retract upward automatically, thus allowing users passage to the secured side.

During emergencies and power outages the barriers automatically retract upward, thereby ensuring users FAST unencumbered exit to safety.

FB1200 provides both security and convenience, all in a very durable yet elegant compact design.

Features

Reliability

- Alloy steel tripod hub and SUS304 stainless steel casework ensure long-lasting durability
- High quality electrical components

Safety Features

- Barriers retract automatically during emergencies/power loss
- All smooth finish. No exposed screws.
- Ergonomic design makes card and fingerprint authentication fast & simple for users.

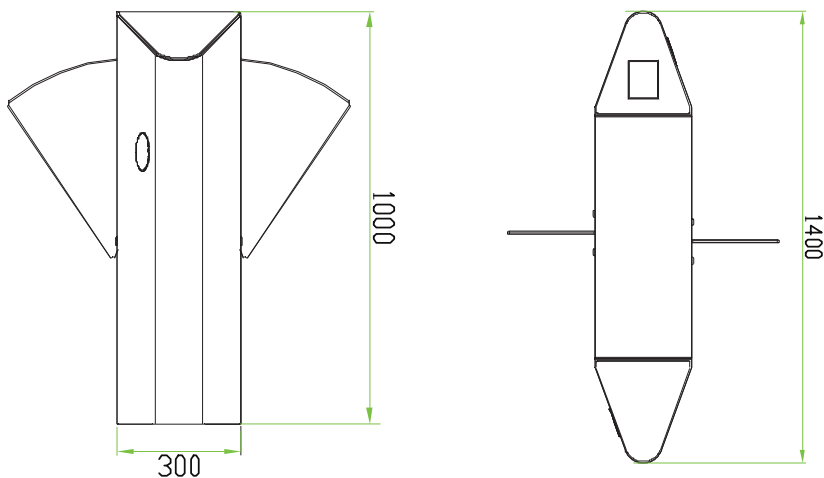
Built-in Reader Integration

- FB1200 series ships already integrated with our customers' preference for either card or fingerprint access control reader. This greatly reduces installation time & expense.
- FB1200 series and associated access control readers are all factory-tested prior to shipping.
- ZKTeco provides true plug'n play turnstiles with the lowest possible total cost of ownership in the industry!

Specifications

Power requirements		AC110V/ 220V, 50/ 60Hz
Power Consumption	Starting	40W
	Standby	7W
	Unlock	43W
Working Temperature		-28 °C ~60 °C
Working Humidity		5% ~ 80%
Working Environment		indoor/ Outdoor (if sheltered)
Speed of throughput	RFID	Maximum 42/ minute
	Fingerprint	Maximum 35/ minute
	Face	Maximum 11/ minute
	Vein	Maximum 23/ minute
Lane width(mm)		600
Footprint(mm*mm)		1400*1200
Dimension(mm)		L=1400, W=300, H=1000
Dimension with packing(mm)		L=1500, W=400, H=1100
Net weight(kg)		86
Weight with packing(kg)		121
LED indicator		Y
Cabinet material		SUS304 Stainless Steel
Lid material		SUS304 Stainless Steel
Barrier material		SUS304 Stainless Steel
Barrier Movement		Retracting
Emergency mode		Y
Security level		Medium
MCBF		2 million

Dimensions (mm)



ZKTeco Inc.
www.zkteco.com
 E-mail: sales@zkteco.com

© Copyright 2016. ZKTeco Inc. ZKTeco Logo is a registered trademark of ZKTeco or a related company. All other product and company names mentioned are used for identification purposes only and may be the trademarks of their respective owners. All specifications are subject to change without notice. All rights reserved.

